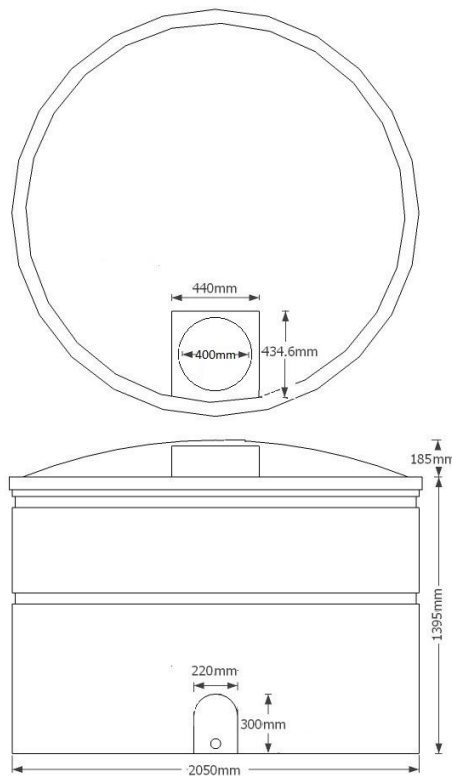


# ECO5100POT

Product description: WRAS approved cylindrical storage tank



## Product Information

Height	Diameter	Lid	Weight	Outlet	Certificate no
1580mm	2050mm	400mm	110kg	2" BSP as standard	2003366

Sizes approximate, owing to shrinkage  
Specification subject to change; please call to confirm details

### PRODUCT NOTES:

- Outlet not drilled, unless requested
- Tank must be sited on a level, fully supportive base leaving a gap of at least 50mm from walls or other tanks
- Additional fittings can be added as and where required without compromising tank's structural integrity
- Tanks must be installed in accordance with The Water Supply (Water Fittings) Regulations 1999 in order to be properly used for storage of drinking water. This will include the addition of fittings which are not supplied with the tank unless ordered separately.

### PRODUCT DETAILS:

- WRAS approval number 2003366
- Approximate wall thickness: 6mm
- 400mm screw down lid
- 2" brass threaded outlet moulded into the tank

### BENEFITS:

- Suitable for internal and external use
- Frost proof; will not crack in cold
- Plastic meets the requirements of BS 6920-1:2000
- Plastic will not contaminate water
- Value for money, high capacity storage
- Ideal for domestic or commercial water storage
- Robust, heavy duty product; industrial strength
- Opaque plastic reduces algae growth in sunlight
- Rotationally moulded for strength and durability
- 10 year warranty against manufacturing defects

### OPTIONAL EXTRAS:

- 1" threaded outlet, or moulded blank (no outlet)
- Brass tap or isolation valve with hose connector
- By-law 30 kit
- Ball cock and float valve
- Tank connectors
- Stainless steel outlet



Scan to view our full range  
of water tanks



Etills Ltd,  
Unit 1 Whiting Way,  
Melbourn,  
Royston,  
SG8 6NA



Call 01763 261781